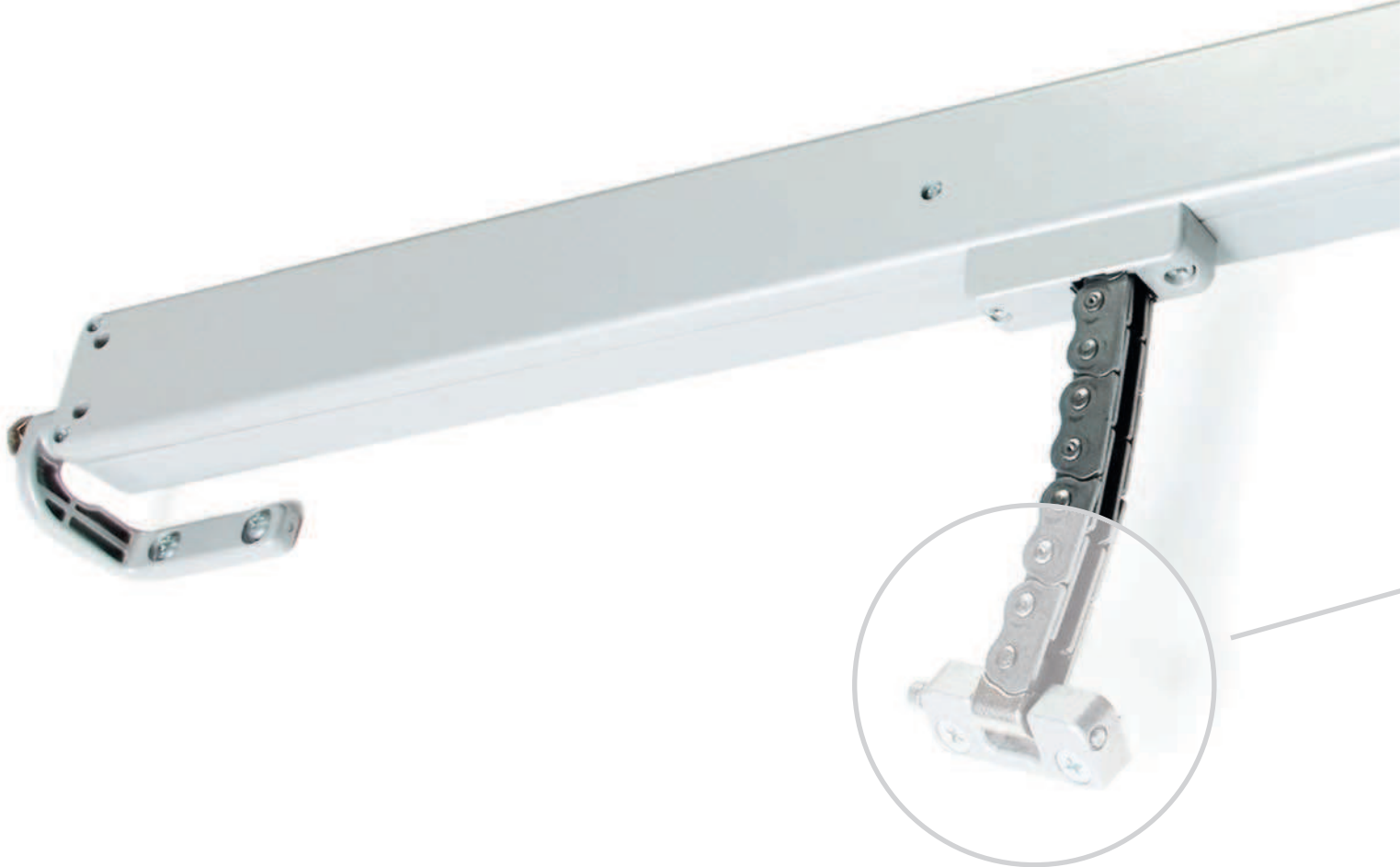




QUASAR - SYNCHRO QUASAR

Chain actuator - Force in push action 300 N - Maximum stroke 500 mm



- Highest performance in minimum size: the die-cast aluminium casing has a very small section (47 x 32 mm) and can be easily built-in into the frame of curtain walls.
- Chain in double stainless steel links.
- Chain exit in central position.
- Quick and easy installation: the manual closing position regulation is not required, avoiding possible mistake. The stop in closing position is regulated by an electronic limit switch control.
- If installed on PVC windows, the profile has to be reinforced.
- Electronic stop in the intermediate positions in case of overload.
- Supplied with 1,5 m cable (**QUASAR**) or 3 m (**SYNCHRO QUASAR**) and pivoting brackets.
- The installation without brackets is possible for windows with pivoting hinges only if the vent height is at least 1500 mm.
- In case of vents with four-bar hinges, please contact our Technical Dept.
- 24 Vdc version is suitable for installation on **Smoke and Heat Extraction Ventilation** in conformity to UNI EN 12101-2 Standard, QUASAR DC approved by **Istituto Giordano** (test report 243340).
-  version is available on request for some models.
- **SYNCHRO QUASAR** version is equipped with an integrated speed synchronization control board that allows the mounting of more than one actuator on the same vent, avoiding the installation of an external control panel. **AC version:** 1 Synchro Quasar AC + 1 Synchro Quasar DC (max 2 couples), **DC version:** max 4 synchro Quasar DC.
- In case of Building Management System avoid repetitive commands in the same direction. For further information contact our Tech. Dept.
- **QUASAR DC F-SIGNAL** and **SYNCHRO QUASAR DC F-SIGNAL** are special versions with opening and closing feedback signal (free potential, maintained contact), activated by the current limit. **SYNCHRO QUASAR DC F-SIGNAL** is provided with additional cable.
- For a higher resistance against atmospheric agents, it is available on request the Quasar DC version with protection class **IP42**.
-  Available the version Quasar BMSline with programmable features (stroke, speed, force, ...) and different scenarios selectable with a connection to a computer and dedicated software. See BMSline section.



new connector included

VOLTAGE SUPPLY
 ELECTRIC CONNECTION
 OPERATION
 STROKE
 FORCE (push and pull action)
 SPEED
 CURRENT ABSORPTION (with max load)
 PARALLEL CONNECTION
 LIMIT STOP
 SAFETY STOP
 FEEDBACK SIGNAL
 PROTECTION CLASS
 Part No.
 GREY RAL 9006
 BLACK RAL 9005
 WHITE RAL 9010

QUASAR AC

100 Vac – 240 Vac
 3 wires + earth

 500 mm
 300N
 ~ 15 mm/s
 0,4 A – 0,2 A
 YES
 Electronic
 Electronic

 IP40

 40837Z
 40838A
 40839B

QUASAR DC

24 Vdc ± 10%
 2 wires
 by polarity inversion
 500 mm
 300N
 ~ 15 mm/s
 0,9 A
 YES
 Electronic
 Electronic

 IP40

 40840C
 40841D
 40842E

QUASAR DC F-SIGNAL

24 Vdc ± 10%
 5 wires
 by polarity inversion
 500 mm
 300N
 ~ 15 mm/s
 0,9 A
 YES
 Electronic
 Electronic
 Open/close
 IP40

 41327T
 41328U
 41329V

VOLTAGE SUPPLY
 ELECTRIC CONNECTION
 OPERATION
 STROKE
 FORCE (push and pull action)
 SPEED
 CURRENT ABSORPTION (with max load)
 PARALLEL CONNECTION
 LIMIT STOP
 SAFETY STOP
 FEEDBACK SIGNAL
 PROTECTION CLASS
 Part No.
 GREY RAL 9006
 BLACK RAL 9005
 WHITE RAL 9010

SYNCHRO QUASAR AC

100 Vac – 240 Vac
 3 wires + earth + 5 wires

 500 mm
 300 N
 ~ 15 mm/s
 0,4 A – 0,2 A*
 YES
 Electronic
 Electronic

 IP40

 41316I
 41317J
 41318K

SYNCHRO QUASAR DC

24 Vdc ± 10%
 5 wires
 by polarity inversion
 500 mm
 300 N
 ~ 15 mm/s
 0,9 A
 YES
 Electronic
 Electronic

 IP40

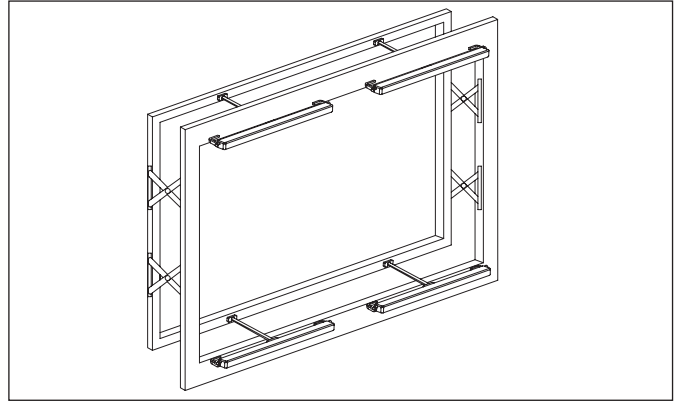
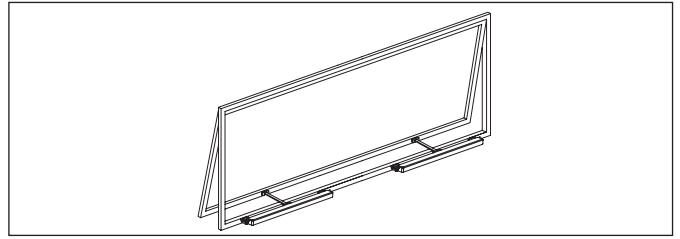
 41119Z
 41120A
 41121B

SYNCHRO QUASAR DC F-SIGNAL

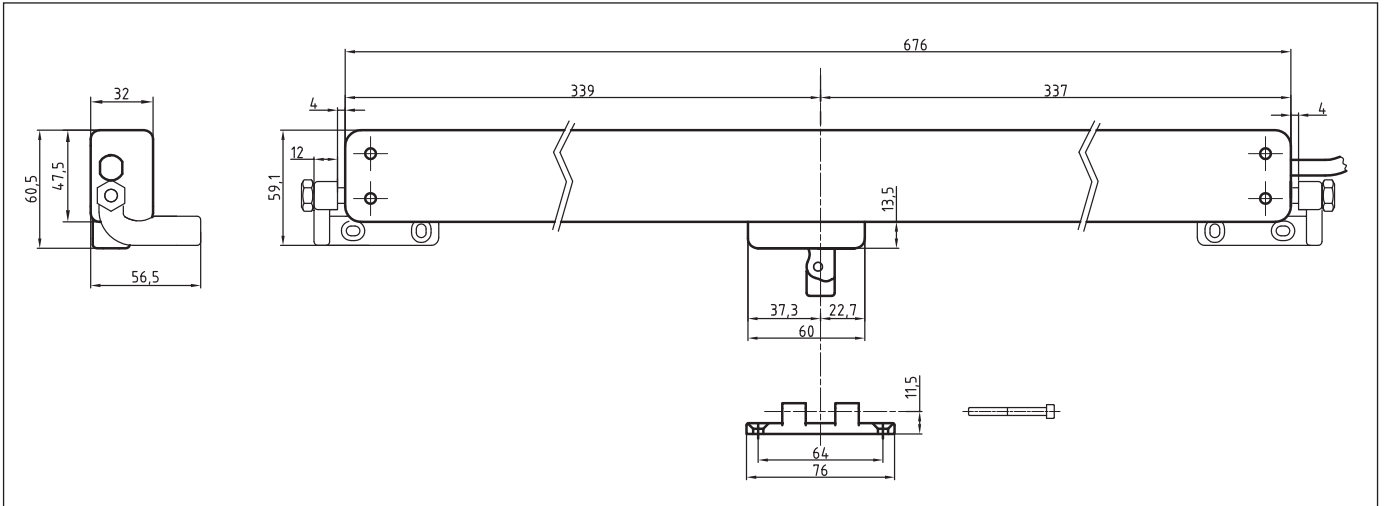
24 Vdc ± 10%
 5 wires + 3 wires
 by polarity inversion
 500 mm
 300 N
 ~ 15 mm/s
 0,9 A
 YES
 Electronic
 Electronic
 Open/close
 IP40

 41319L
 41320M
 41321N

* If connected to a Synchro Quasar DC current, absorption is double

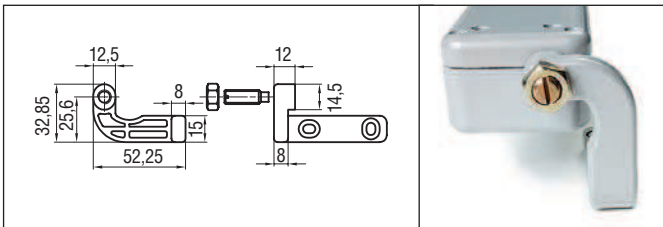


Synchro Quasar installation examples

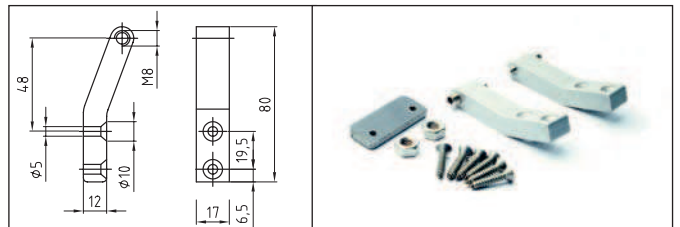


Actuators dimensions

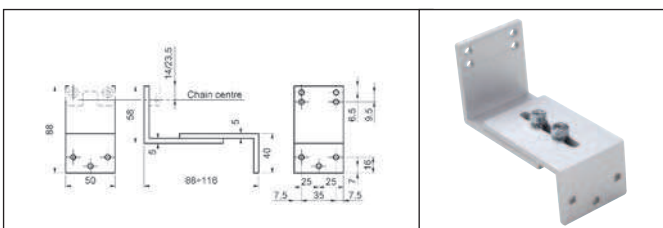
Accessories



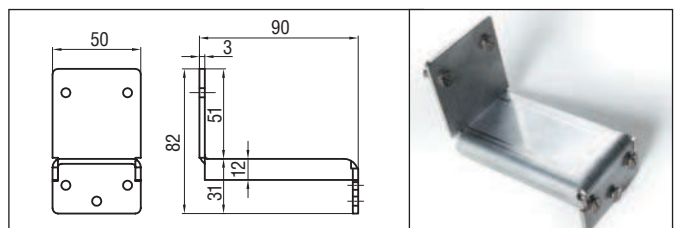
Pivoting brackets kit (included)



Long brackets kit (to be ordered separately)
 GREY painted RAL 9006 part no. 40941H
 BLACK painted RAL 9005 part no. 40942I
 WHITE painted RAL 9010 part no. 40943J

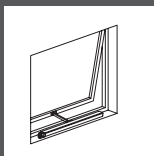


Aluminium adjustable "Z" bracket for bottom hinged window part no. 41200C

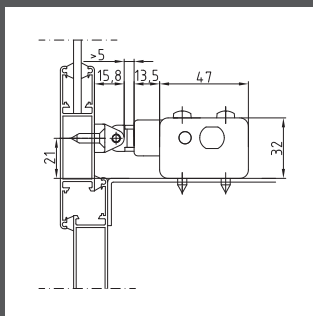


Stainless steel bottom hinged window bracket part No. 40858U

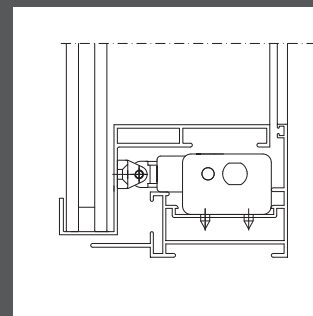
Installation examples



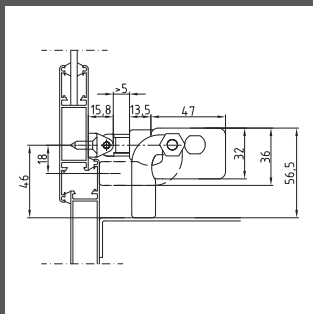
Top hinged windows



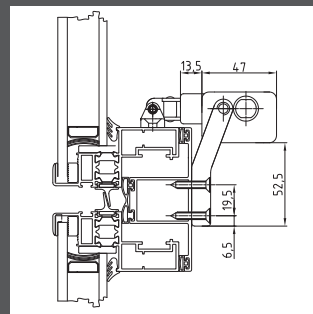
On windows with windowsill



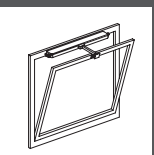
Inside a curtain wall frame



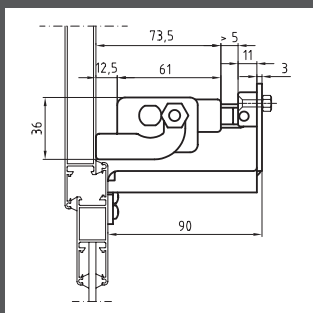
On windows with or without windowsill with pivoting brackets



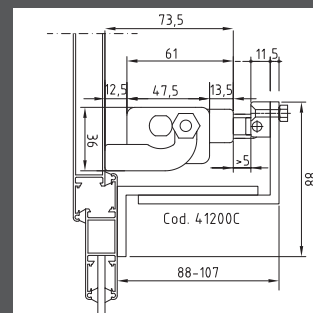
With long brackets kit



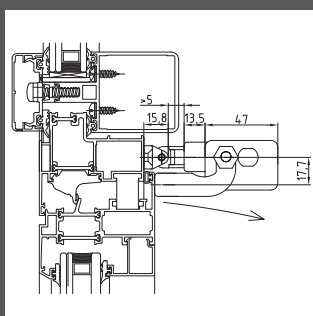
Bottom hinged windows



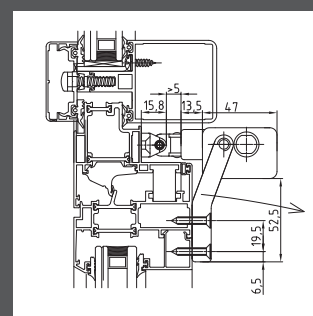
On the frame with pivoting brackets kit and bracket for bottom hinged windows



On the frame with adjustable "Z" bracket part No. 41200C



On the vent with pivoting brackets kit included



On the vent with long brackets kit

⚠ The instructions for a safe installation are included in the section "SECURITY WARNINGS"

SPECIFICATION PROSPECTS

Electric chain actuator Ultraflex Control Systems named Quasar with chain in double stainless steel links.

Voltage supply: from 100 to 240 Vac or 24 Vdc – Electronic limit stop; electronic stop in the intermediate positions in case of overload. Casing in painted die-cast aluminium with very small section (47x32 mm). Pivoting brackets included.

The 100-230 Vac version and the 24 Vdc version are conform to 2004/108/CE, the 100-240 Vac version is conform also to 2006/95/CE directive.

Electric chain actuator Ultraflex Control Systems named Synchro-Quasar with chain in double stainless steel links. Suitable for mounting more than one actuators (max 4 actuators) on the same vent.

Voltage supply: from 100 to 240 Vac or 24 Vdc – Electronic limit stop; speed control; electronic stop in the intermediate positions in case of overload. Casing in painted die-cast aluminium with very small section (47x32 mm). Pivoting brackets included.

The 100-240 Vac and the 24 Vdc version are conform to 2004/108/CE directives, the 100-240 Vac version is conform also to 2006/95/CE directive.