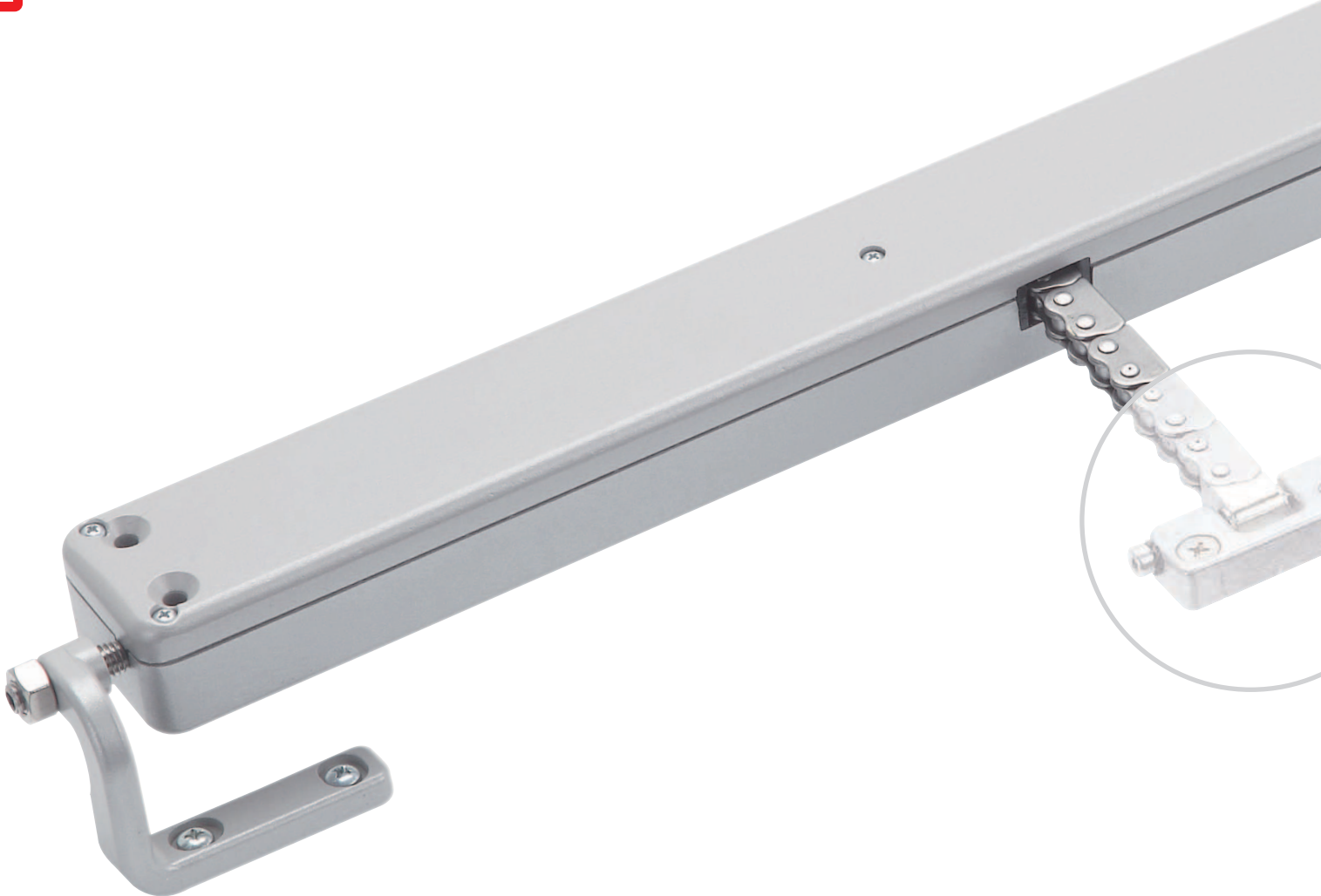




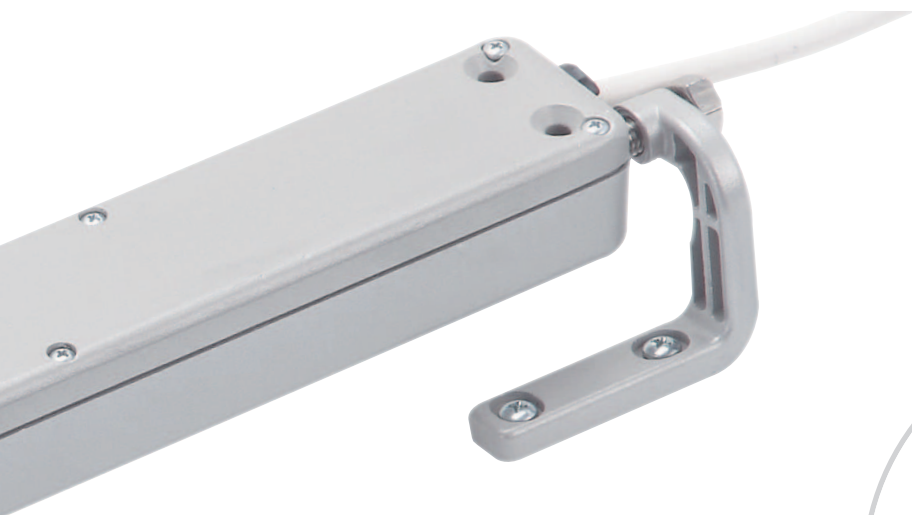
VEGA - SYNCHRO VEGA

Chain actuator - Force in push action 300 N - Maximim stroke 300 mm



PATENTED CHAIN ACTUATOR

- Highest performance in minimum size: the die-cast aluminium casing has a very small section (45 x 32 mm) and can be easily built-in into the frame of curtain walls.
- Chain in double stainless steel links.
- Chain exit in central position.
- Quick and easy installation: the manual closing position regulation is not required, avoiding possible mistake. The stop in closing position is regulated by an electronic limit switch.
- If installed on PVC windows, the profile has to be reinforced.
- Electronic stop in the intermediate positions in case of overload.
- Supplied with 1,5 m cable (**VEGA**) or 3 m (**SYNCHRO VEGA**) and pivoting brackets.
- The installation without brackets is possible for windows with pivoting hinges only if the vent height is at least 900 mm.
- In case of vents with four-bar hinges, please contact our Technical Dept.
- The **VEGA RF** version has an integrated radio receiver and it is supplied with radio remote control; the transmitter controls simultaneously more actuators within its field of action; available on request actuators and remote controls with different radio codes.
- **SYNCHRO VEGA** version is equipped with an integrated speed synchronization control board that allows the mounting of more than one actuator (max 4) open or close on the same vent, avoiding the installation of an external control panel.
- In case of Building Management Systems avoid repetitive command in the same direction. For Further information contact our Tech. Dept.
- **VEGA DC F-SIGNAL** and **SYNCHRO VEGA DC F-SIGNAL** are a special version with opening and closing feedback signal (free potential, maintained contact), activated by the current limit. **SYNCHRO VEGA DC F-SIGNAL** is provided with additional cable.
-  version available on request.
- For a higher resistance against atmospheric agents, it is available on request the **VEGA DC** version with protection class **IP32**.
-  Available the version Quasar BMSline with programmable features (stroke, speed, force, ...) and different scenarios selectable with a connection to a computer and dedicated software. See BMSline section.



new connector included

VOLTAGE SUPPLY
ELECTRIC CONNECTION
OPERATION
STROKE
FORCE (push and pull action)
SPEED
CURRENT ABSORPTION (with max load)
PARALLEL CONNECTION*
LIMIT STOP
SAFETY STOP
FEEDBACK SIGNAL
PROTECTION CLASS

VEGA AC

100 Vac - 240 Vac
3 wires + earth

300 mm
300 N
~ 9 mm/s
0,3 A - 0,15 A
YES
Electronic
Electronic

IP 30

VEGA RF

100 Vac - 240 Vac
4 wires + earth

300 mm
300 N
~ 9 mm/s
0,3 A - 0,15 A
YES
Electronic
Electronic

IP 30
Integrated radio receiver
Radio control included

VEGA RF-RAIN

100 Vac - 240 Vac
4 wires + earth + 3 wires

300 mm
300 N
~ 9 mm/s
0,3 A - 0,15 A
YES
Electronic
Electronic

IP 30
Integrated radio receiver
Radio control included
Cable connection for
rain sensor

PART No.

GREY RAL 9006
BLACK RAL 9005
WHITE RAL 9010

40900K
40901L
40902M

40906Q
40907R
40908S

41015D
41016E
41017F

VEGA DC

VOLTAGE SUPPLY
ELECTRIC CONNECTION
OPERATION
STROKE
FORCE (push and pull action)
SPEED
CURRENT ABSORPTION (with max load)
PARALLEL CONNECTION*
LIMIT STOP
SAFETY STOP
FEEDBACK SIGNAL
PROTECTION CLASS

24 Vdc ± 10%
2 wires
by polarity inversion
300 mm
300 N
~ 9 mm/s
0,7 A
YES
Electronic
Electronic

IP 30

VEGA DC F-SIGNAL

24 Vdc ± 10%
5 wires
by polarity inversion
300 mm
300 N
~ 9 mm/s
0,7 A
YES
Electronic
Electronic

IP 30

SYNCHRO VEGA DC

24 Vdc ± 10%
5 wires
by polarity inversion
300 mm
300 N
~ 9 mm/s
0,7 A
YES
Electronic
Electronic

IP 30

SYNCHRO VEGA DC F-SIGNAL

24 Vdc ± 10%
5 + 3 wires
by polarity inversion
300 mm
300 N
~ 9 mm/s
0,7 A
YES
Electronic
Electronic

Open/close
IP 30

PART No.

GREY RAL 9006
BLACK RAL 9005
WHITE RAL 9010

40903N
40904O
40905P

41304W
41305X
41306Y

41122C
41123D
41124E

41307Z
41308A
41309B

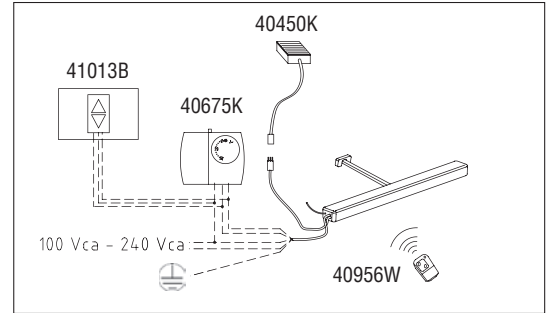
* Only VEGA RF can be connected in parallel with VEGA RF-RAIN.

VEGA - SYNCHRO VEGA



VEGA RF / RF-RAIN

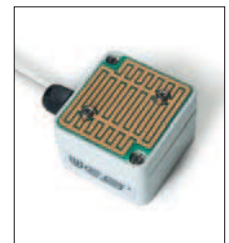
The VEGA RF and RF-RAIN models are controlled by a radio transmitter (frequency 433,92 MHz) and is possible to connect them to a thermostat without any control panel. VEGA RF and VEGA RF-RAIN can be connected in parallel. VEGA RF-RAIN version is supplied with cable for direct connection to a rain sensor (rain sensor not included). It is possible to order VEGA RF actuator without radio control and the radio control separately (it is possible to control more actuators with the same radio transmitter). Available on request actuators + remote control with different radio codes.



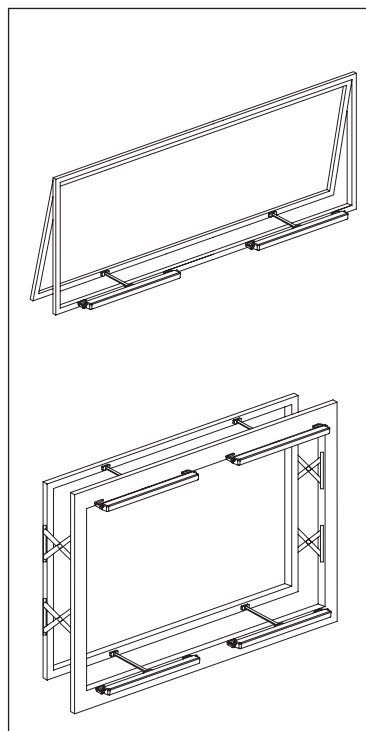
For a more detailed wiring layout see the manual of instructions



Radio control supplied with VEGA RF and VEGA RF-RAIN ACTUATOR part No. 40956W

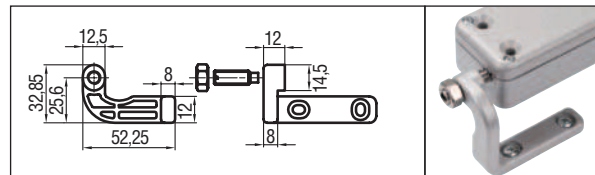


Rain sensor RS part No. 40450K

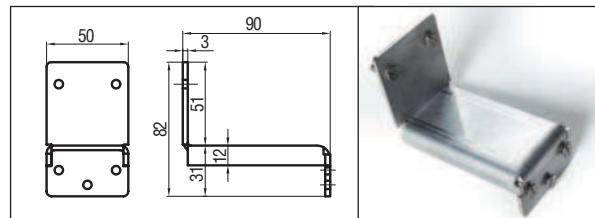


Synchro Vega installation examples

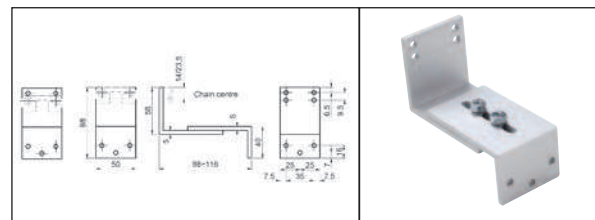
Accessories



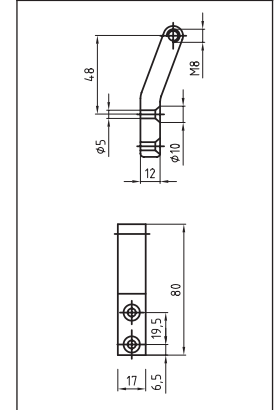
Pivoting brackets kit (included)



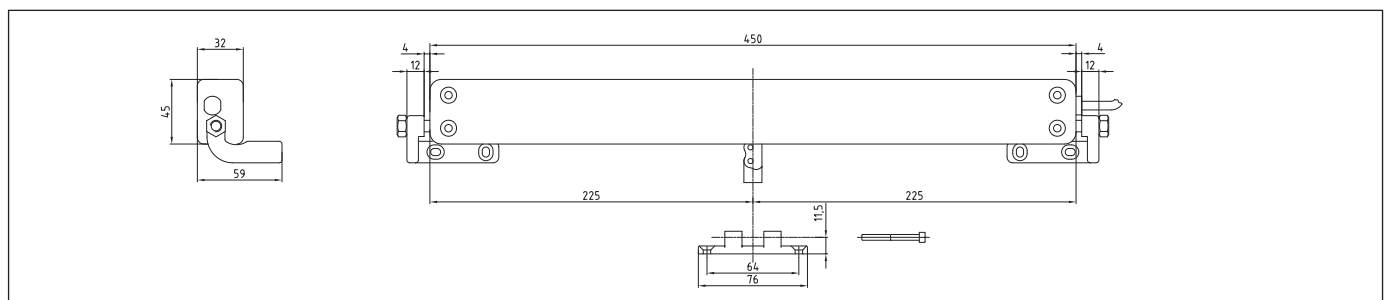
Stainless steel bottom hinged window bracket part No. 40858U



Aluminium adjustable "Z" bracket for bottom hinged window part No.41200C

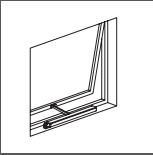


Long brackets kit (to be ordered separately)
 GREY RAL 9006 part No. 40941H
 BLACK RAL 9005 part No. 40942I
 WHITE RAL 9010 part No. 40943J

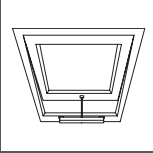


Actuator dimensions

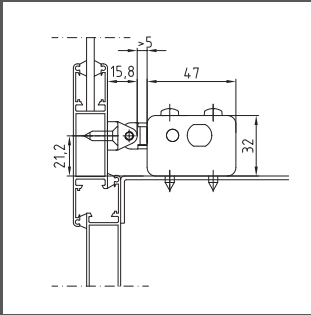
Installation examples



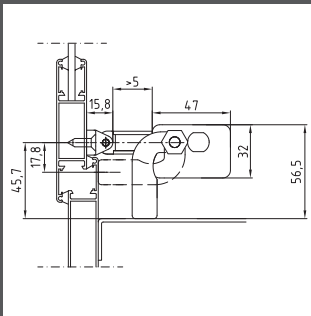
Top hinged windows



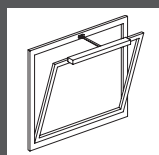
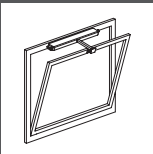
Top hinged roof windows



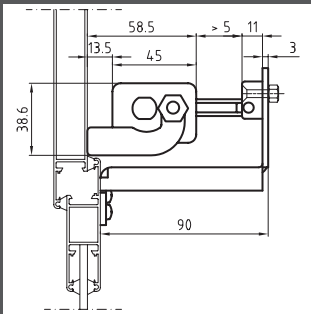
On windows with window sill



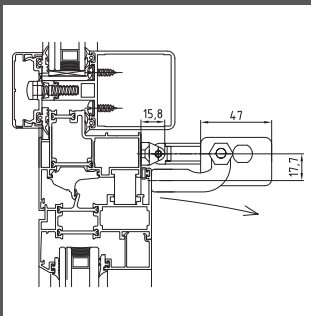
On windows with and without window sill with pivoting brackets



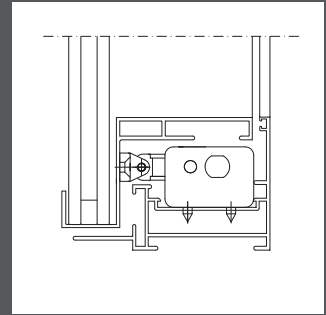
Bottom hinged windows



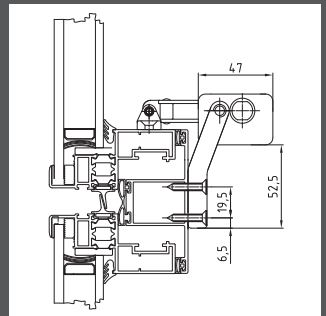
On the frame with pivoting brackets kit and bracket for bottom hinged windows



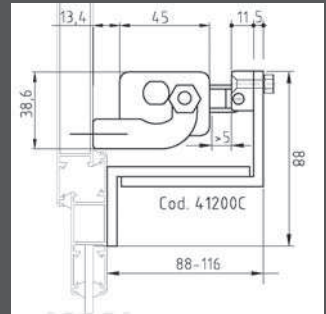
On the vent with pivoting brackets kit included



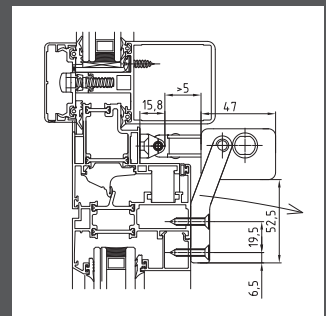
Inside a curtain wall frame



With long brackets kit



On the frame with adjustable "Z" bracket part No. 41200C



On the vent with long brackets kit

SPECIFICATION PROSPECTS

Electric chain actuator Ultraflex Control Systems named Vega with chain in double stainless steel links.

Voltage supply: from 100 to 240 Vac or 24 Vdc – Electronic limit stop; electronic stop in the intermediate positions in case of overload. Casing in painted die-cast aluminium with very small section (45x32 mm). Pivoting brackets included.

The 100-240 Vac version and the 24 Vdc version are conform to 2004/108/CE directives, the 100-240 Vac version is conform also to 2006/95/CE directive.

Electric chain actuator Ultraflex Control Systems named Synchro-Vega with chain in double stainless steel links. Suitable for mounting more than one actuators (max 4 actuators) on the same vent.

Voltage supply: 24 Vdc – Electronic limit stop; speed control; electronic stop in the intermediate positions in case of overload. Casing in painted die-cast aluminium with very small section (45x32 mm). Pivoting brackets included.

It is conform to 2004/108/CE directive.

⚠ The instructions for a safe installation are included in the section "SECURITY WARNINGS"