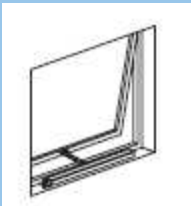
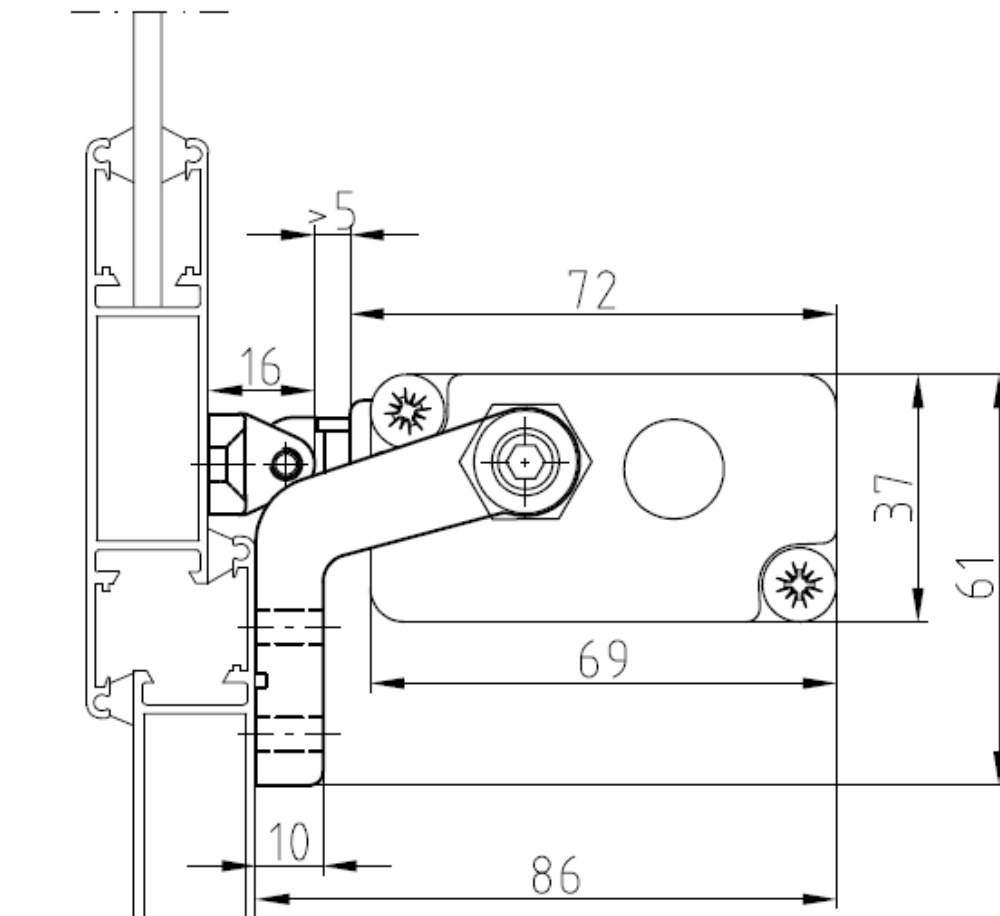


QUASAR L

ATTUATORE ELETTRICO A CATENA – FORZA 300 – 150 -100 N – CORSA 600 – 750 - 1000 mm
ELECTRIC CHAIN ACTUATOR – FORCE 300 – 150 -100 N – STROKE 600 – 750 - 1000 mm
BOITIER A CHAÎNE ELECTRIQUE – FORCE 300 – 150 -100 N – COURSE 600 – 750 - 1000 mm



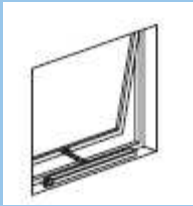
SPORGERE
TOP HINGED WINDOW
CHÂSSIS PROJETANT



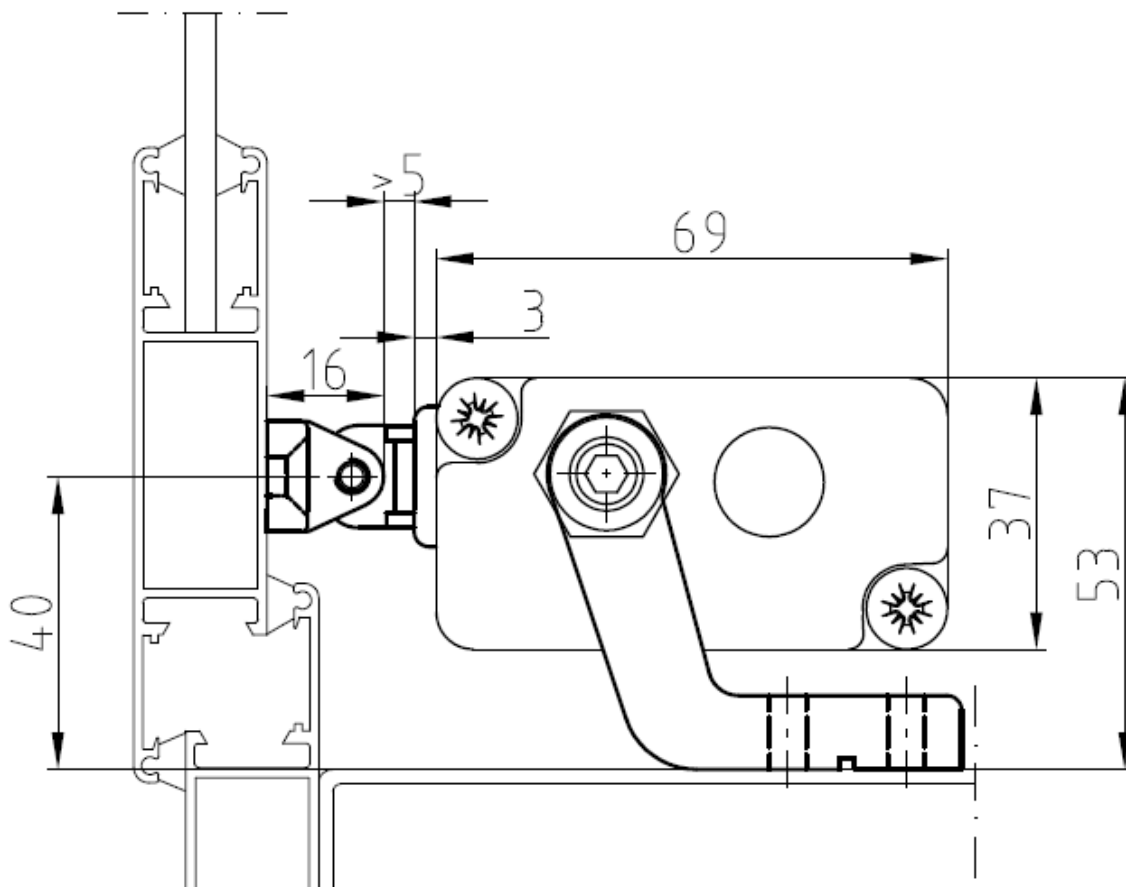
- I** Applicazione su telaio con staffe oscillanti incluse
- GB** On the frame with pivoting brackets included
- F** Sur dormant avec étriers pivotants inclus

QUASAR L

ATTUATORE ELETTRICO A CATENA – FORZA 300 – 150 -100 N – CORSA 600 – 750 - 1000 mm
ELECTRIC CHAIN ACTUATOR – FORCE 300 – 150 -100 N – STROKE 600 – 750 - 1000 mm
BOITIER A CHAÎNE ELECTRIQUE – FORCE 300 – 150 -100 N – COURSE 600 – 750 - 1000 mm



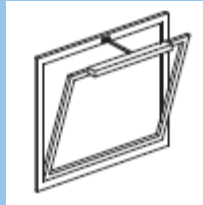
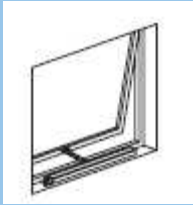
SPORGERE
TOP HINGED WINDOW
CHÂSSIS PROJETANT



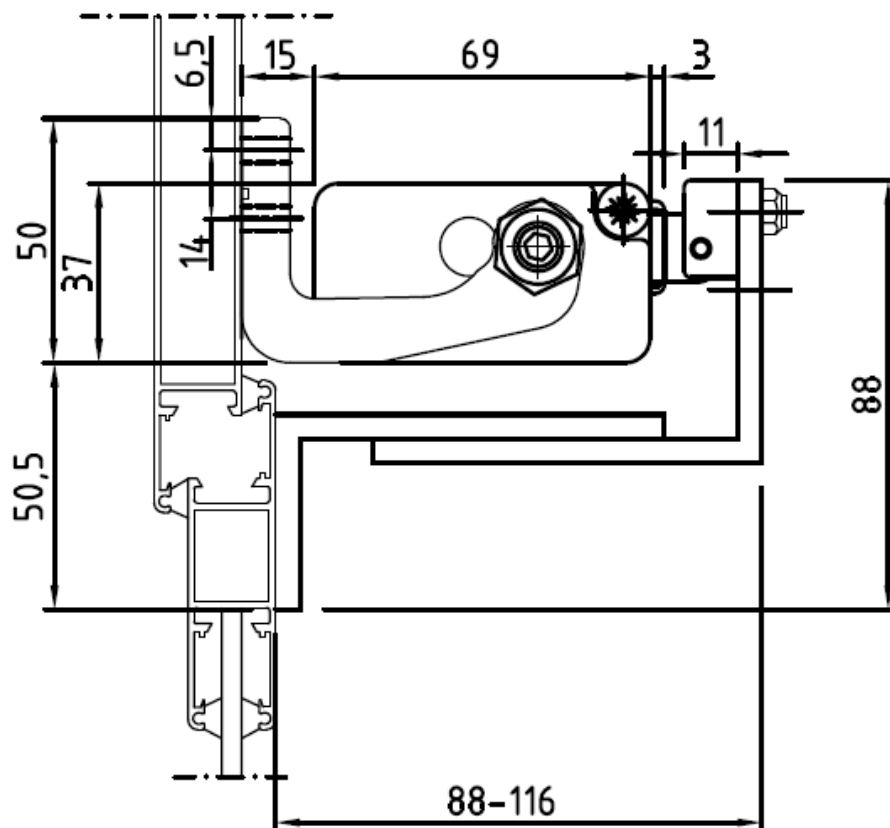
- I** Applicazione su davanzale con staffe oscillanti incluse
- GB** On the windowsill with pivoting brackets included
- F** Sur appui avec étriers pivotants inclus

QUASAR L

ATTUATORE ELETTRICO A CATENA – FORZA 300 – 150 -100 N – CORSA 600 – 750 - 1000 mm
ELECTRIC CHAIN ACTUATOR – FORCE 300 – 150 -100 N – STROKE 600 – 750 - 1000 mm
BOITIER A CHAÎNE ELECTRIQUE – FORCE 300 – 150 -100 N – COURSE 600 – 750 - 1000 mm



VASISTAS
BOTTOM HINGED WINDOWS
CHÂSSIS SOUFFLET



I Applicazione su telaio con staffe a vasistas

GB On the frame with brackets for bottom hinged windows

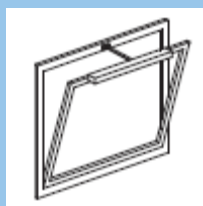
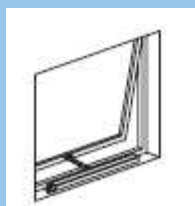
F Sur dormant avec étriers pour châssis a soufflet

QUASAR L

ATTUATORE ELETTRICO A CATENA – FORZA 300 – 150 -100 N – CORSA 600 – 750 - 1000 mm

ELECTRIC CHAIN ACTUATOR – FORCE 300 – 150 -100 N – STROKE 600 – 750 - 1000 mm

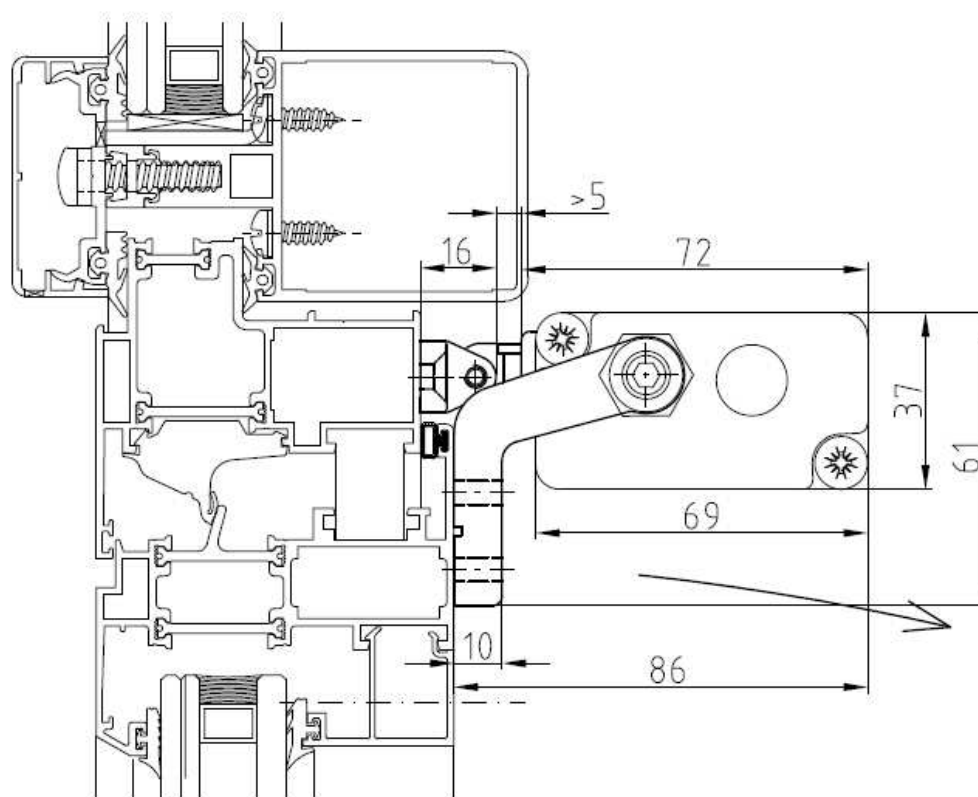
BOITIER A CHAÎNE ELECTRIQUE – FORCE 300 – 150 -100 N – COURSE 600 – 750 - 1000 mm



VASISTAS

BOTTOM HINGED WINDOWS

CHÂSSIS SOUFFLET



I Applicazione sull'anta con staffe oscillanti incluse

GB On the vent with pivoting brackets kit included

F Sur volet avec étriers pivotants inclus